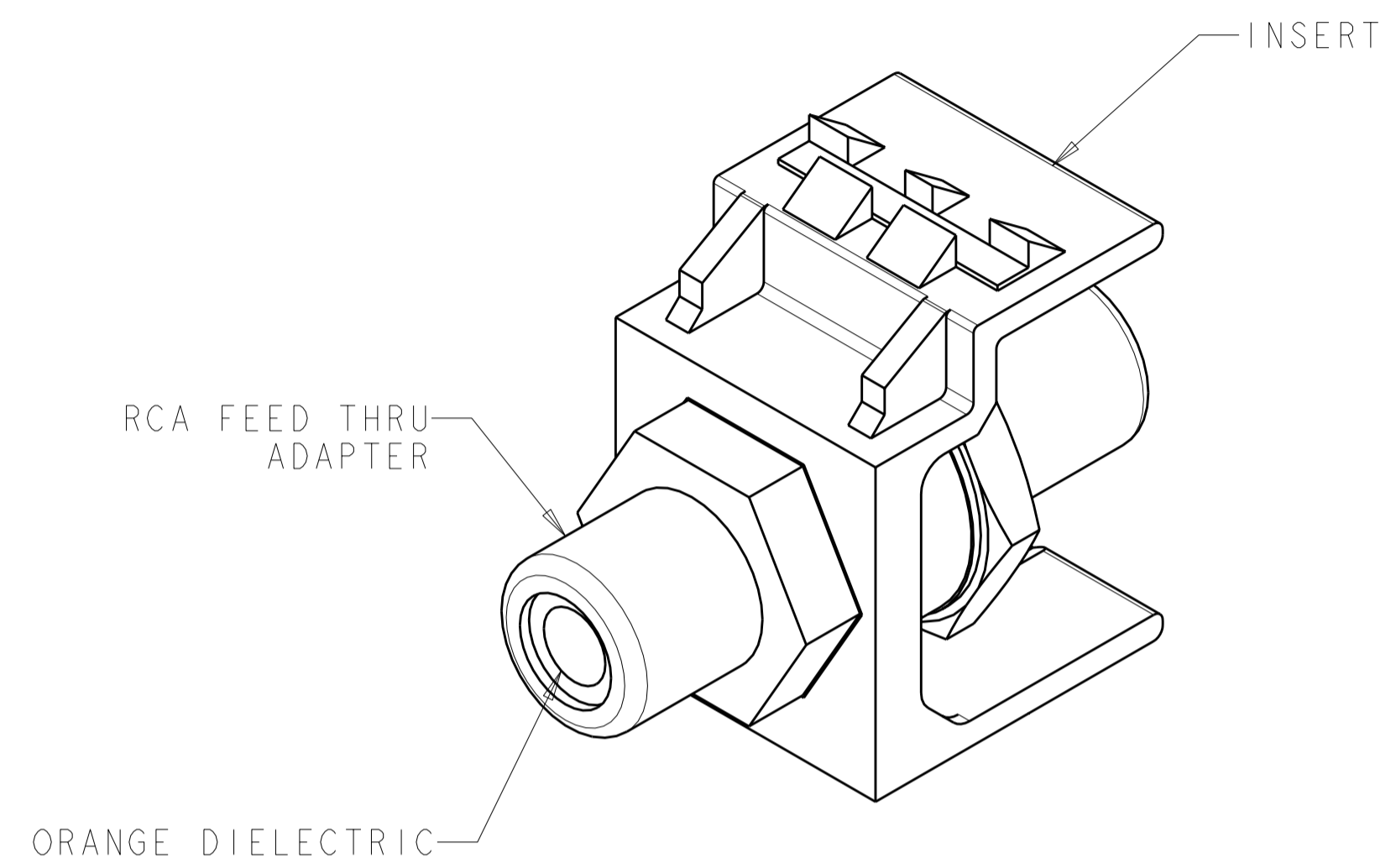
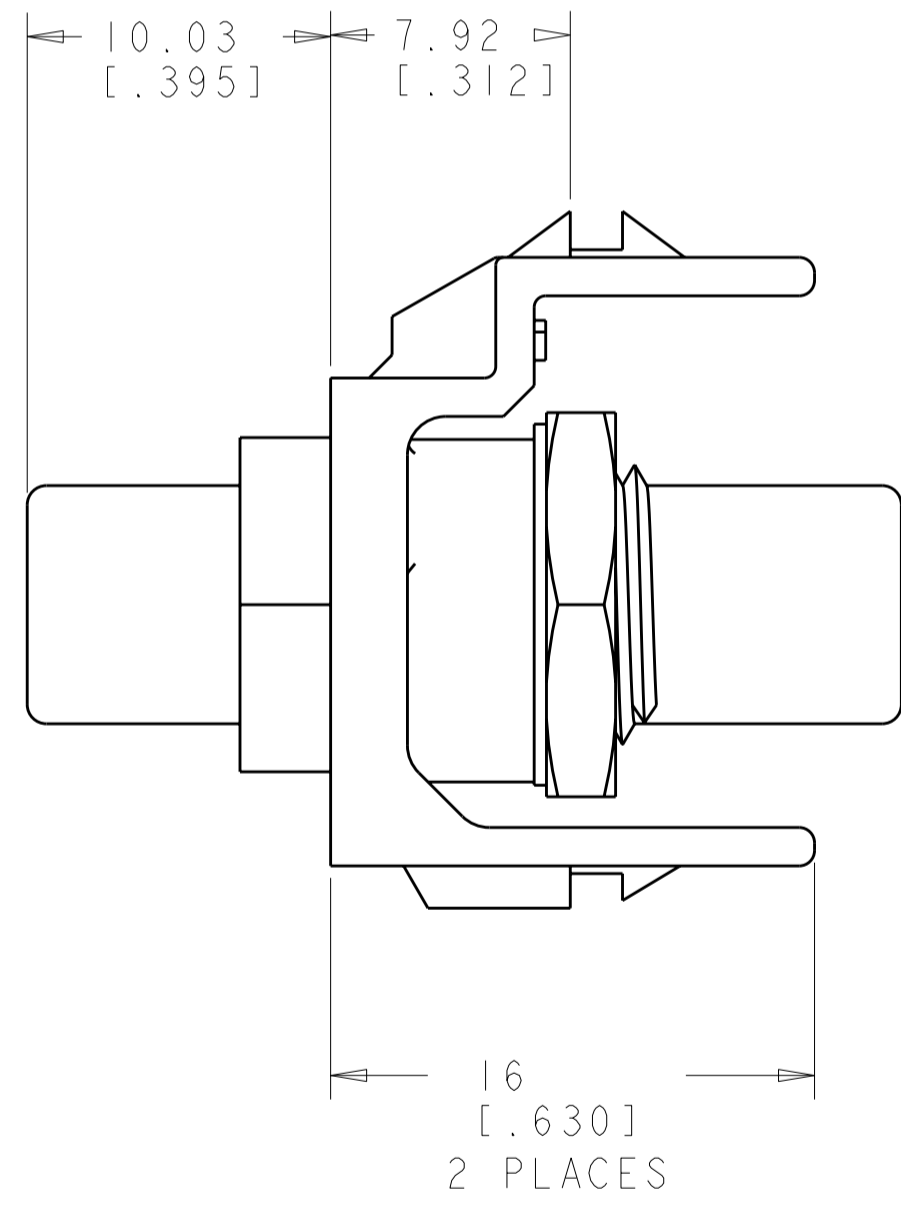


THIS DRAWING IS UNPUBLISHED. RELEASED FOR PUBLICATION 20  
 © COPYRIGHT 20 BY TYCO ELECTRONICS CORPORATION. ALL RIGHTS RESERVED.

| LOC | DIST | REVISIONS |     |                 |           |     |      |
|-----|------|-----------|-----|-----------------|-----------|-----|------|
| HM  | 00   | P         | LTR | DESCRIPTION     | DATE      | DWN | APVD |
|     |      |           | A   | RLSD; NSD06-128 | 27NOV2006 | LHS | GB   |
|     |      |           |     |                 |           |     |      |
|     |      |           |     |                 |           |     |      |



- ⚠ MATERIAL:  
 INSERT - ABS MOLDING COMPOUND,  
 SEE TABLE FOR COLOR.  
 ADAPTER - BRASS, GOLD PLATED.
- ⚠ UNLESS OTHERWISE SPECIFIED ALL  
 DIMENSIONS ARE SHOWN NOMINAL.



|                |             |
|----------------|-------------|
| ELECTRIC IVORY | I-1933194-1 |
| NEMA GRAY      | 1933194-4   |
| WHITE          | 1933194-3   |
| BLACK          | 1933194-2   |
| LIGHT ALMOND   | 1933194-1   |
| COLOR          | PART NUMBER |

|   |  |  |  |
|---|--|--|--|
| <small>THIS DRAWING IS A CONTROLLED DOCUMENT FOR TYCO ELECTRONICS CORPORATION<br/>         IT IS SUBJECT TO CHANGE AND THE CONTROLLING ENGINEERING ORGANIZATION<br/>         SHOULD BE CONTACTED FOR THE LATEST REVISION.</small> |  | DWN L SMITH 27NOV2006<br>CHK G BOWMAN 27NOV2006<br>APVD G BOWMAN 27NOV2006 | <b>tyco</b><br><b>Electronics</b><br>Tyco Electronics<br>Harrisburg, PA 17105-3608 |
| DIMENSIONS:<br>MM [INCHES]  | TOLERANCES UNLESS<br>OTHERWISE SPECIFIED:<br>0 PLC ±<br>1 PLC ±<br>2 PLC ±<br>3 PLC ±<br>4 PLC ±<br>ANGLES ±<br>FINISH - | PRODUCT SPEC -<br>APPLICATION SPEC -<br>WEIGHT -                           | NAME INSERT ASSEMBLY, RCA FEED-THRU,<br>ORANGE, SL SERIES                          |
| MATERIAL -  | FINISH -   | SCALE 4:1  | SIZE A2 CAGE CODE 00779 DRAWING NO. 1933194 RESTRICTED TO -                        |
| CUSTOMER DRAWING  |  | SHEET 1 OF 1   | REV A  |